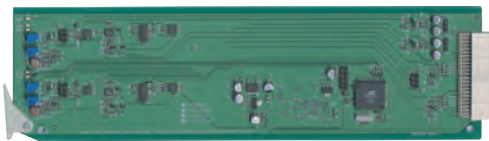
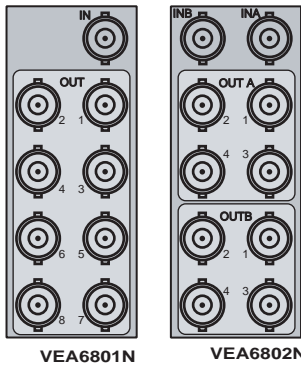


Description:

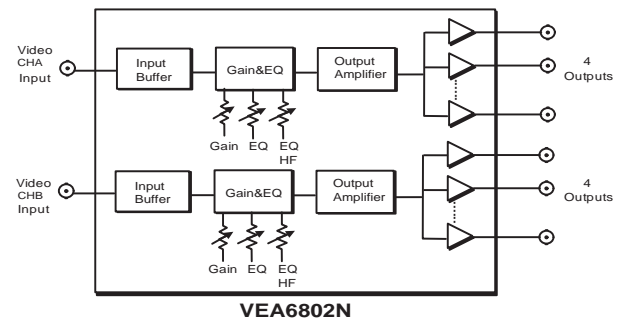
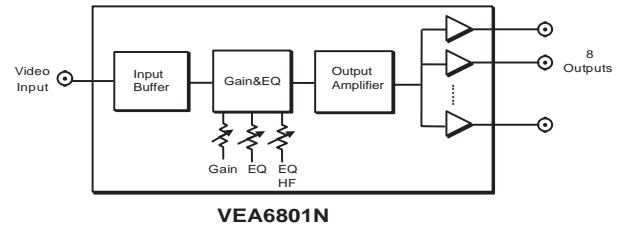
The VEA6801N/VEA6802N are both analog video distribution amplifiers with equalization, and provide unbalanced input. The two modules can compensate the cable loss for 100m of Belden 8281 cable. The +/-3dB gain range adjustment is provided. The VEA6801N has one input and eight outputs, and the VEA6802N has two inputs each with four outputs, or it can be set for eight outputs via jumper.

SNMP



Features:

- ▶ AC/DC input coupling
- ▶ +/-3dB gain range adjustment
- ▶ 100m of Belden 8281 continuously adjustable equalization
- ▶ 525/625 input detection



Specifications: Specifications are subject to change without notice

Analog Video Input

Input level	1 Vp-p nominal
Connector	BNC (IEC169-8)
Max input level	2.5 Vp-p centered @ 0 V
Input impedance	75 ohm
Input coupling	AC/DC selectable

Analog Video Output

Number of outputs	8
Output impedance	75 ohm
Output return loss	>45 dB to 5 MHz, >40 dB to 10 MHz
Output isolation	>40 dB @ 10 MH

Performance

Gain	-3 dB to +3 dB
Frequency response	+/-0.05 dB DC- 10 MHz
Line distortion	<0.20%
Field distortion	<0.20%
Differential gain	<0.15%
Differential phase	<0.15°
DC offset	<25mV
EQ response	+/-0.05 dB to 5 MHz, +/-0.15 dB to 10 MHz, 0-100 m Belden 8281
S/N Ratio	>70 dB

Power Consumption:

Power	VEA6801N: 1.5W; VEA6802N: 2.5W
Positive rail	VEA6801N: 150mA; VEA6802N: 2.50mA
Negative rail	VEA6801N: 50mA; VEA6802N: 100mA

Ordering Information:

VEA6801N Analog video equalizing distribution amplifier 1x8

VEA6802N Dual analog video equalizing distribution amplifier 2-1x4 or it can be set for 8 outputs via jumper