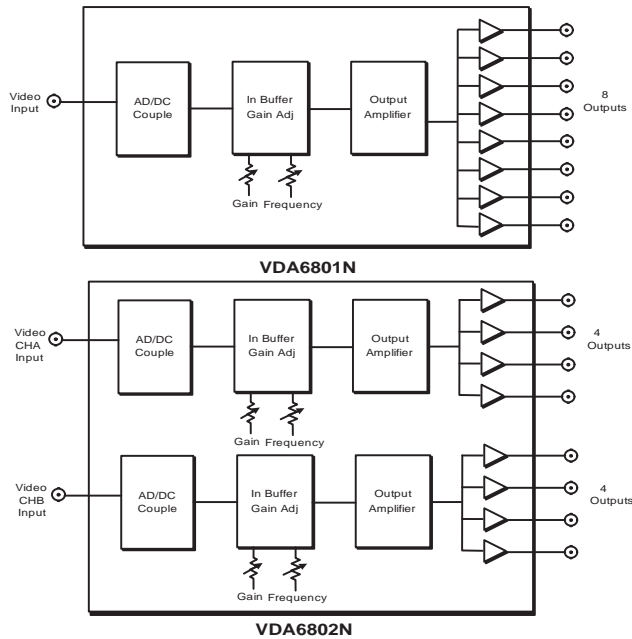


Description:

The VDA6801N/ VDA6802N are distribution amplifier modules with high performance, high reliability and low power consumption.

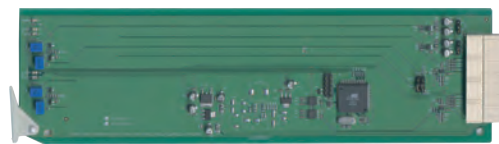
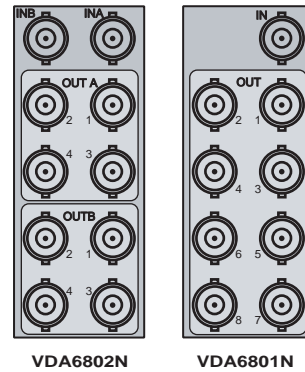
The VDA6801N has one input and 8 outputs; the VDA6802N has two inputs, each has 4 outputs, or set 8 outputs via jumper.

SNMP



Features:

- ▶ AC/DC coupling
- ▶ +/-3db gain range for adjustment
- ▶ 525/625 input signal detection



Specifications: (Specifications are subject to change without notice)

Analog Video Input

Input Level	1 Vp-p nominal
Maximum Input Level	2.5 Vp-p centered @ 0 V
Input Impedance	75 Ohm
Input Connector	BNC (IEC169-8)
Input Return Loss	>45dB to 5 MHz, >40dB to 10 MHz

Analog Video Output

Output	8
Connector	BNC (IEC169-8)
Output Impedance	75 Ohm
Output Return Loss	>45 dB to 5 MHz, >40 dB to 10 MHz
Output Isolation	>40 dB @ 10 MHz

Performance

Gain	-3 dB to + 3 dB
Frequency Response	+/-0.05 dB DC-10 MHz
Line Distortion	<0.20%
Field Distortion	<0.20%
Differential Gain	<0.15%
Differential Phase	<0.15°
S/N	>70 dB

Power Consumption

Power	VDA6801N: 1.5W; VDA6802N: 2.5W
Positive Rail	VDA6801N:150mA ; VDA6802N: 250 mA
Negative Rail	VDA6801N:50mA ; VDA6802N: 150mA

Ordering Information:

VDA6801N Analog video distribution amplifier, 1x8

VDA6802N Analog video distribution amplifier, 2-1x4, or set 8 outputs via jumper