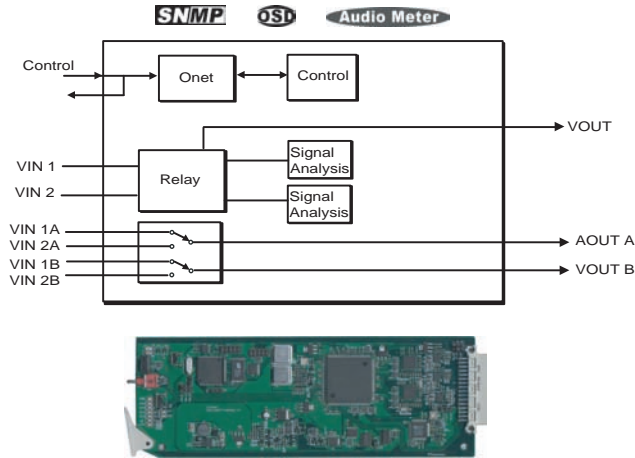


Description:

VAC6840N is an analog changeover. The changeover is performed by the relays on VAC6840N rear panel. Selected signal at the output is maintained when power failure. The input can be selected automatically or manually. Automatic signal selection is based on video signal presence and video level detection. An optional remote control panel can be chosen for manual control.



Features:

- ▶ Support NTSC/PAL inputs
- ▶ Relay switching can maintain selected input on power loss
- ▶ Automatic mode based on video signal presence and video level detection



Specifications: (Specifications are subject to change without change)

Analog video input

Input number	2
Standard	NTSC, PAL-B
Connector	BNC (IEC 169-8)
Signal coupling	DC
Impedance	75 ohm

Analog video output

Output number	1
Connector	BNC (IEC 169-8)
Impedance	75 ohm

Analog audio input

Input number	4
Signal	Balanced analog audio
Connector	3-pin connector

Analog audio output	Balanced analog audio
Connector	3-pin connector

Power consumption

Power	2.4W
Positive rail	350 mA
Negative rail	20 mA

Ordering Information:

VAC6840N	Analog video and Audio Changeover Swither
----------	---