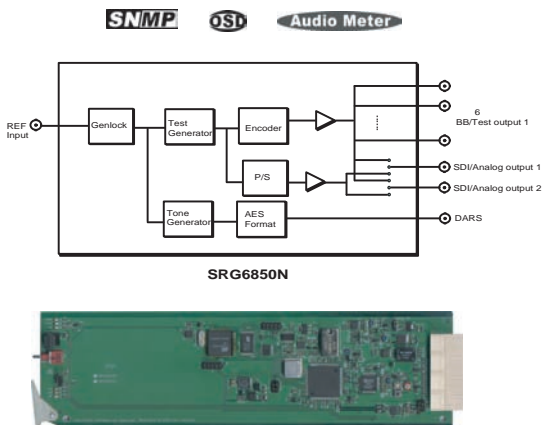


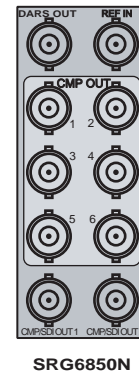
Description:

SRG6850N is an SD analog and black burst/DARS generator. It has up to 8 analog black burst outputs, up to 2 SDI black burst outputs with 24bits embedded audio and DARS output with selectable tone. SRG6850N can generate high stable black burst with its internal TXCO.



Features:

- ▶ High stable analog and SDI black burst generating
- ▶ DARS output
- ▶ Embedded Audio supporting
- ▶ Infinite phasing
- ▶ Color Bar generating
- ▶ Supporting reference signal



Specifications: (Specifications are subject to change without change)

Analog Composite Output

Analog composite output	NTSC, PAL-B
Output Number	8
Impedance	75 ohm
Connector	BNC (IEC 169-8)
Return Loss	>40dB to 5.75 MHz
Quantization	12 bits
DC offse	+/- 5mV

SDI Video Output

Output	2
Resolution	10-bit
Standard	SMPTE: 259M-C; 270Mb/s, 525/625 Component
Connector	BNC (IEC 169-8)
Impedance	75 ohm
Return loss	>18dB to 270 M
Signal amplitude	800mV +/- 10%
DC offset	0V +/- 0.5V
Raise and fall time	400-700ps (20 to 80% of amplitude)
Overshoot	< 10% of amplitude (all outputs terminated)

Reference Input

Standard	Analog color bar or analog black burst
Connector	BNC (IEC 169-8)
Impedance	75 ohm

DARS Output

Output	1 Silence or Tone
Connector	BNC (IEC 169-8)
Tone Frequency	500Hz or 1KHz selectable, left/right channel set independently
Tone level	0 — 3 1 dBFS set in 1 dB increments

Phasing

Range Infinite	1 frame
Resolution	0.5ns

Master crystal stability

Initial	2 PPM
vs. Time	2 PPM/Year
vs. Temperature	2 PPM, 0° C to +50° C

Power consumption

Power	2.4W
Positive rail	330 mA
Negative rail	35mA

Ordering Information:

SRG6850N	Analog and SDI black burst/DARS generator
----------	---