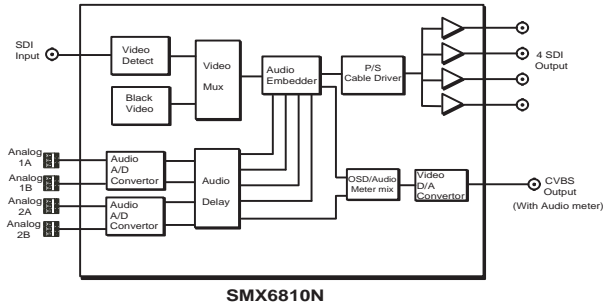
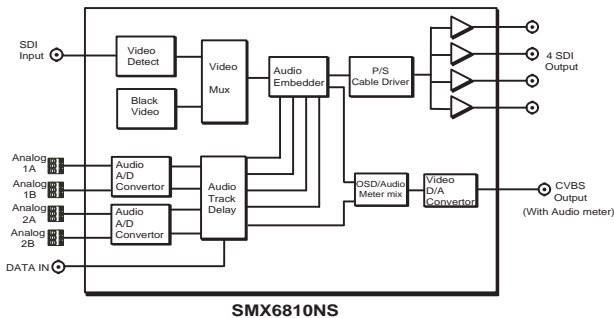


## Description:

The SMX6810N/ SMX6810NS are analog audio embedding modules. It has embedded SDI output with relocking. The only difference between two modules is the SMX6810NS features audio tracking in addition to all functions that the SMX6810N offer. Both modules support 4-channel analog audio embedding. The user can choose either input audio or other audio synthesized by system and embed them into any audio group.



SMX6810N

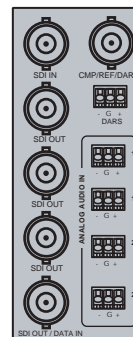


SMX6810NS

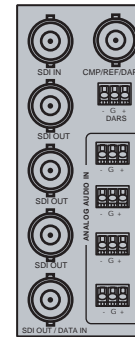


## Features:

- ▶ Supporting audio embedding in 525/625 video format
- ▶ Supporting 4-channel audio embedding
- ▶ Supporting 20-bit, 24-bit audio embedding
- ▶ Embedded audio group and mode selectable
- ▶ SDI output with equalization and relocking
- ▶ One analog video output monitoring
- ▶ SD-SDI video input auto detection and input status feedback
- ▶ Supporting 4-channel audio metering display
- ▶ Embedding tone at fixed frequency rate
- ▶ Supporting 1.3 second at maximum audio delay
- ▶ Supporting audio gain adjustment, invert and mute
- ▶ Input EDH monitoring
- ▶ Re-insert EDH
- ▶ Auto detect freeze frame, black field and video loss
- ▶ Monitoring audio loss and audio overload



SMX6810N



SMX6810NS

## Specifications: (Specifications are subject to change without notice)

### SDI Video Input

Signal Standard	SMPTE 259M; 270 Mbps, 525/625 SD component
Impedance	75 ohm
Return Loss	>18dB to 360MHz
Connector	BNC (IEC169-8)
Equalization	Auto equalization to 30dB@270 Mbps

### Analog Composite Video Output

Signal Standard	NTSC, PAL or PAL-M
Level	1Vp-p +/-3dB
Impedance	75 ohm
Connector	BNC (IEC169-8)
Return Loss	>40 dB to 5 MHz
DC Offset	0V ± 0.05 V
Frequency Response	±0.2 dB to 5 MHz
Differential Gain	<1%
Differential Phase	<1.5°
Group delay	+/-10ns to 5 MHz

### SDI Video Output

Signal Standard	SMPTE 259M-C; 270 Mbps, 525/625
Connector	BNC (IEC169-8)
Impedance	75 ohm
Return Loss	>18dB to 270MHz
Signal Level	800 mV ± 10%
DC Offset	0 V ± 0.5 V
Rise and Fall Time	400 to 1500ps (20% to 80% of amplitude)
Overshoot	<10% of amplitude
Jitter	<0.2 UI (740ps) peak, typical<500ps

### Analog Audio Input

Connector	3-pin
Analog Input Level	28-16dBu
Impedance	>30Kohm
Frequency Response	+/-0.05dB (20-20KHz)
THD+N	95dB, 20-20KHz@-3dBFS
Crosstalk	-95dB(20-20KHz)

【 The pictures are just for reference and subject to actuality 】

### DATA IN

Input Impedance	75ohm/high impedance (jumper selectable)
Input Sensitivity	500mV pk to pk(minimum value)
Input Cable Length	100 meter
Return Loss	<-20dB

### Power Consumption

Power	3.5W
Positive Rail	500 mA
Negative Rail	10 mA

### Ordering Information:

---

SMX6810N	SD-SDI 4-channel analog audio embedding module	SMX6810NS	SD-SDI 4-channel analog audio embedding with audio tracking
----------	--	-----------	---