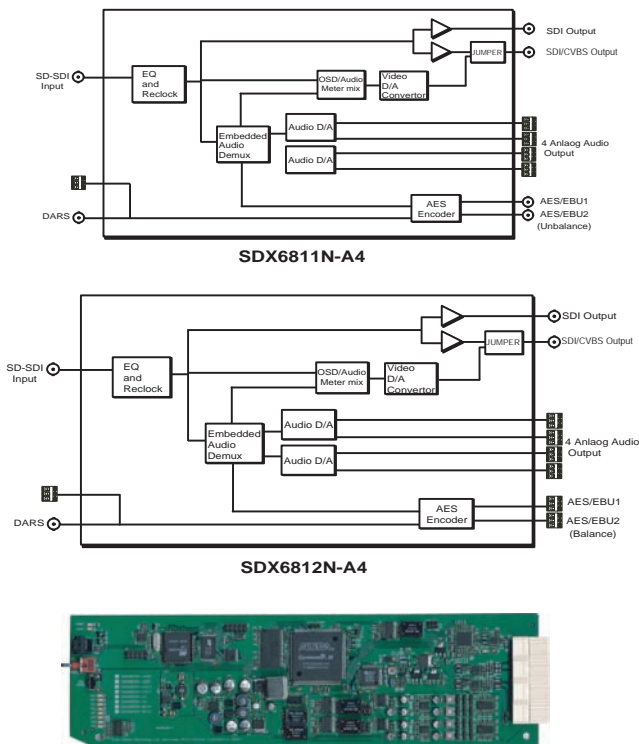


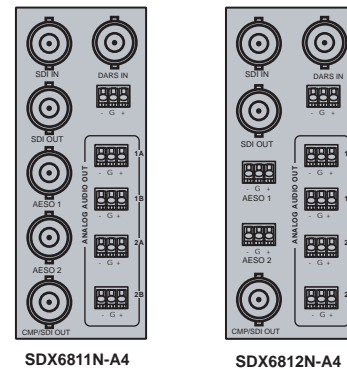
## Description:

The SDX6811N-A4/ SDX6812N-A4 are AES/EBU de-embedding modules, which de-embed 4 channels (2 pairs) of AES/EBU audio and which support SDI output with equalization and reclocking. The user can choose any channel out of 4 embedded audio groups as audio output or choose the synthesized audio as output signal.



## Features:

- ▶ De-embedding audio from SD-SDI signal; supporting 2 pairs (4 channels) of AES/EBU outputs
- ▶ De-embedding in 525/625 video standard
- ▶ SDI output with equalization and reclocking
- ▶ One channel analog composite monitoring
- ▶ 27 available signal sources for each audio output
- ▶ SD-SDI video input auto-detect and input status feedback
- ▶ Supporting 16-bit, 20-bit and 24-bit audio processing
- ▶ Supporting 4-channel audio metering display
- ▶ Generating Tone signal at fixed frequency rate
- ▶ Supporting maximum 1.3 seconds audio delay, invert and mute
- ▶ EDH Monitoring
- ▶ Freeze frame, black field and video loss detection
- ▶ Audio loss and audio overload monitoring



## Specifications: (Specifications are subject to change without notice)

### SDI Video Input

|              |   |
|--------------|---|
| Signal       | SMPTE259M-C, 270 Mbps, 525/625 SD component |
| Connector    | BNC (IEC169-8)                              |
| Impedance    | 75 ohm                                      |
| Return Loss  | >18 dB to 270 MHz                           |
| Equalization | Auto equalizing to 30dB@270 Mbps            |

### SDI Video Output

|                    |   |
|--------------------|---|
| Signal             | SMPTE259M-C, 270 Mbps, 525/625 SD component |
| Connector          | BNC (IEC169-8)                              |
| Impedance          | 75 ohm                                      |
| Return Loss        | >18 dB to 270 MHz                           |
| Signal Level       | 800 mV +/-10%                               |
| DC Offset          | 0 V +/-0.5 V                                |
| Rise and Fall Time | 400-1500 ps (20% to 80% of amplitude)       |
| Overshoot          | <10% of amplitude                           |

### Analog Composite Video Output

|                    |                    |
|--------------------|--------------------|
| Standard           | NTSC, PAL or PAL-M |
| Level              | 1Vp-p +/-3dB       |
| Impedance          | 75 ohm             |
| Return Loss        | >40 dB to 5 MHz    |
| DC Offset          | 0V ± 0.05 V        |
| Frequency Response | ±0.2 dB to 5 MHz   |
| Differential Gain  | <1%                |
| Differential Phase | <1.5°              |
| Group Delay        | +/-10ns to 5 MHz   |

### Analog Audio Output

|                    |                             |
|--------------------|-----------------------------|
| Connector          | 3-pin                       |
| Impedance          | 66 ohm                      |
| THD+N              | 0.004% @ 1 kHz 0 dBFS       |
| S/N Ratio          | >107dB                      |
| Return Loss        | >25dB, 0.1 to 6MHz          |
| Frequency Response | 20 Hz - 20 kHz: 0 ± 0.15 dB |

## SDIAudio Output

### Unbalanced AES Output (applicable to SDX6811N-A4 only)

|                    |                                       |
|--------------------|---------------------------------------|
| Connector          | BNC (IEC 169-8)                       |
| Output Level       | 1.0 V +/-10% (peak to peak)           |
| DC offset          | 0.0V ± 50.0mV                         |
| Rise and Fall Time | 30 to 44 ns (10% to 90% of amplitude) |
| Impedance          | 75 ohm                                |
| Return Loss        | >25 dB, 0.1 to 6.0 MHz                |

### Balanced AES Output (applicable to SDX6812N-A4 only)

|                    |   |
|--------------------|---|
| Connector          | 3-pin connector (male)                  |
| Output Level       | 2.0 to 7.0 V (peak to peak)             |
| Jitter             | +/-20 ns                                |
| Rise and Fall Time | 5 to 30 ns (10% to 90%)                 |
| Impedance          | 110 ohm +/- 20% (0.1 to 6 MHz)          |
| CMR Ratio          | >30 dB below output signal (0 to 6 MHz) |

## DARS Input

|                     |   |
|---------------------|---|
| Connector           | 3-pin connector                         |
| Sensitivity         | < 200mv                                 |
| Impedance           | 110 ohm +/- 20% (0.1 to 6 MHz)          |
| Maximum Input Level | 10V (peak to peak)                      |
| CMR Ratio           | >30 dB below output signal (0 to 6 MHz) |

## Unbalanced DARS Input

|             |                        |
|-------------|------------------------|
| Connector   | BNC (IEC 169-8)        |
| Sensitivity | < 200mv                |
| Impedance   | 75 ohm                 |
| Return Loss | >35 dB, 0.1 to 6.0 MHz |

## Power Consumption

|               |        |
|---------------|--------|
| Power         | 3.25W  |
| Positive Rail | 500 mA |
| Negative Rail | 10 mA  |

## Ordering Info:

|             |  |             |  |
|-------------|--|-------------|--|
| SDX6811N-A4 | AES and analog audio de-embedding module, two pairs unbalanced AES outputs | SDX6812N-A4 | AES and analog audio de-embedding module, two pairs balanced AES outputs |
|-------------|--|-------------|--|