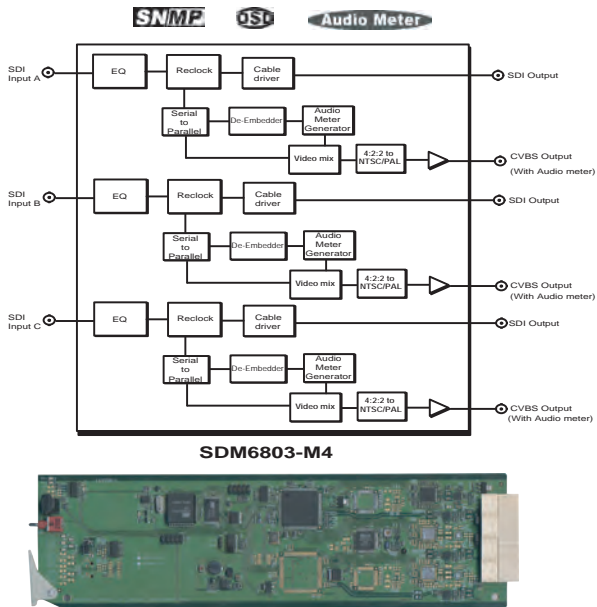
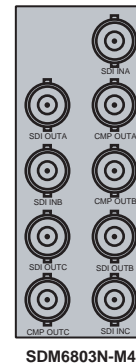


Description:

The SDM6803N-M4 is a video monitoring module with video D/A conversion. It has 3 SDI inputs, and for each input the module provides one reclocked SDI output and one CVBS output. In addition, it supports embedded audio monitoring.

**Features:**

- ▶ Three SDI inputs
- ▶ For each input it provides one SDI output
- ▶ For each input it provides one CVBS output
- ▶ Analog video format supported: PAL-B, PAL-M, NTSC
- ▶ EDH detection
- ▶ Freeze frame and black field detection

**Specifications:** (Specifications are subject to change without notice)**SDI Video Input**

Signal Standard	SMPTE 259M-C; 270 Mbps, 525/625 SD component
Connector	BNC(IEC 169-8)
Impedance	75 ohm
Return Loss	>18dB to 270MHz
Maximum input cable	>300m

Analog Composite Output

Standard	NTSC, PAL-M, PAL-B
Output	For each input it provides one output
Signal Level	1Vp-p nominal
DC Offset	0mV +/- 14mV
Impedance	75 ohm
Return Loss	>40dB to 5.75 MHz
Output Quantization	10 bits
Frequency Response	<+/-0.25 dB to 5 MHz
Differential Gain	<1.5%
Differential Phase	<1.2°
S/N Ratio	>54dB RMS to 5 MHz
Test Signal	color bar: 100/0/75/0

SDI Video Output

Output	For each input it provides one output
Connector	BNC(IEC 169-8)
Overshoot	<10% (all outputs terminated)
Impedance	75 ohm
Return Loss	>18dB to 270MHz
Signal Level	800mV +/- 10%
Jitter	<0.2 UI
Rise and Fall Time	0.4-0.7ns (20% to 80% of amplitude)

Power Consumption

Power	< 6.6 W
Positive Rail	900mA
Negative Rail	20mA

Ordering Information:

SDM6803N-M4	SD-SDI 3-channel video monitoring module with embedded audio monitoring
-------------	---