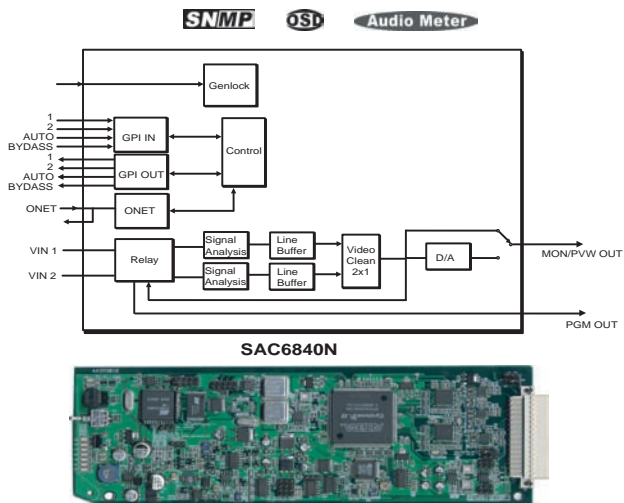


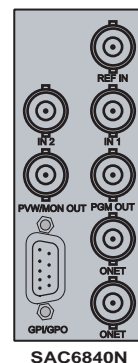
**Description:**

The SAC6840N is a 2X1 SD-SDI/ASI auto changeover. The Changeovers are performed by SAC6840N internal electronic switch with clean switch supporting. The signal is protected by the relays on SAC6840N rear panel when power failure, and maintaining the selected signal at the output.

The input can be selected automatically or manually. Automatic signal selection is based on internal signal alarm status monitoring. An optional remote control panel can be chosen for manual control.

**Features:**

- ▶ Supporting two 525/625 SD-SDI and ASI inputs
- ▶ Electronic switcher with relay backup maintains selected input on power loss
- ▶ Automatic mode based on video presence, EDH, freeze frame, black field and audio group presence and status
- ▶ Supporting clean switching

**Specifications:** (Specifications are subject to change without notice)**SDI Video Inputs**

Number	2 program inputs
Standard	SMPTE 259M-C; 270 Mb/s, 525/625 component
Connector	BNC(IEC 169-8)
Impedance	75 ohm
Return Loss	>18 dB to clock frequency
Signal Level	800 mV +/- 10%
Equalization	Automatic up to 350m Beldon-8281

**SDI Video Outputs**

Number	1 output (Relay protected)
Standards	259 M-C; 270 Mb/s, 525/625 component

**Analog Composite Video Output**

Standards	NTSC, PAL or PAL-M
Level	1Vp-p +/-3dB
Impedance	75 ohm
Return Loss	>40 dB to 5 MHz
DC Offset	0V +/- 0.05 V
Frequency Response	+/-0.2 dB to 5 MHz
Differential Gain	<1%
Differential Phase	<1.5%
Group Delay	+/-10ns to 5 MHz

Connector	BNC(IEC 169-8)
Impedance	75 ohm
Return Loss	>18 dB to clock frequency
Signal Level	800 mV +/- 10%
DC Offset	0 V +/- 0.5 V
Rise & Fall Time	400-700 pS (20 to 80% famplitude)
Overshoot	<10% of amplitude (all outputs terminated)

**Analog Reference**

Signal Type	Composite Sync or Composite Video
Impedance	75 ohm
Input Level	0.5 to 2 V

**Power Consumption**

Power	5.0W
Positive Rail	750 mA
Negative Rail	15 mA

**Ordering Information:**

SAC6840N	SD-SDI changeover switcher with clean switching
----------	---