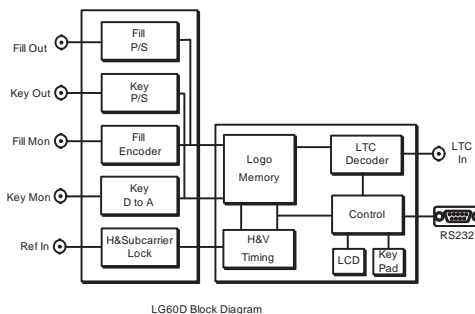


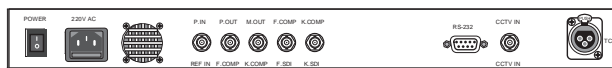
Description:

The LG60 series is the most powerful and fully featured logo generator. With its 18 Mbytes logo memory, LG60 can store full-bandwidth uncompressed 4:2:2 quality still and/or motion logos. Each logo is stored with its own full-bandwidth luminance key channel for precise linear keying. Three logos as well as clock can be displayed simultaneously. Modular architectures are used in the LG60 series logo generator designs. The LG60 includes logo generation board, serial digital interface board and analog composite interface board. The LG60 can be used in analog composite facilities and digital facilities by changing the interface boards. The LTC is used for synchronizing the LG60 internal clock to the main clock in facilities.



Features:

- ▶ Still and motion logo generation
- ▶ 18Mbytes logo memory
- ▶ Fully adjustable logo position and animation properties
- ▶ Logo can be loaded by PC



Signal connector

REF IN Reference input
 F. COMP Analog fill output

K. COMP Analog key output
 F. SDI SDI fill output
 K. SDI SDI key output
 RS232 RS232, 2: Rx, 3: Tx, 5: Gnd
 CCTV IN CCTV time correction input
 LTC IN LTC input, for connetion to GPS, 1: Gnd, 2: In+, 3: In-

Specifications: specifications are subject to change without notice

Referenc Input

Number of Inputs 1
 Signal Type Analog composite NSTC/PAL or composite sync
 Connector BNC per IEC169-8
 Impedance 75 ohms

Fill Output

Number of Outputs 1
 Standard SMPTE 259M-C; 270Mb/s, 525/625 component
 Connector BNC per IEC169-8
 Impedance 75 ohms
 Return Loss >18dB to clock frequency
 Signal Level 800mV +/-10%
 DC Offset 0V +/-0.5V
 Rise and Fall Tim e 0.4 to 0.7nS (20% to 80% of amplitude)
 Overshoot <10% of amplitude

Key Output

Number of Outputs 1
 Standard SMPTE 259M-C; 270Mb/s, 525/625 component
 Connector BNC per IEC169-8
 Impedance 75 ohms
 Return Loss >18dB to clock frequency
 Signal Level 800mV +/-10%
 DC Offset 0V +/-0.5V
 Rise and Fall Time 0.4 to 0.7nS (20% to 80% of amplitude)
 Overshoot <10% of amplitude

Fill Monitoring Output

Number of Outputs 1
 Standard NSTC, PAL and PAL-M
 Connector BNC per IEC169-8

Impedance 75 ohms
 Level 1Vp-p (including sync)
 Return Loss >40dB to 5.75MHz

Key Monitoring Output

Number of Outputs 1
 Signal Type Chroma signal with sync
 Connector BNC per IEC169-8
 Impedance 75 ohms
 Level 1Vp-p (including sync)
 Return Loss >40dB to 5.75MHz

Storage

Memory 18Mbytes
 Sampling 13.5MHz, uncompressed

Serial Control

Interface RS232, 38,400 bps, 8-bit, no parity
 Connector DB9, Male
 Function logo can be uploaded by PC

LTC Input

Signal Type Differential balanced
 Connetor XLR Female
 Standard SMPTE/EBU LTC 25/30
 Input Sensitivity 0.1Vp-p

Power

Voltage 90-265VAC
 Frequency 50/60Hz
 Power Dissipation 18W

Dimension

Height 44mm

Width

483mm

Depth

260mm

ORDERING INFORMATION

LG60DS	Serial Digital Still Logo Generator	LG60DMS	Serial Digital Motion Logo Generator with Second Still Logo
LG60DM	Serial Digital Motion Logo Generator	LG60DMM	Serial Digital Motion Logo Generator with Second Motion Logo
LG60DSS	Serial Digital Still Logo Generator with Second Still Logo		