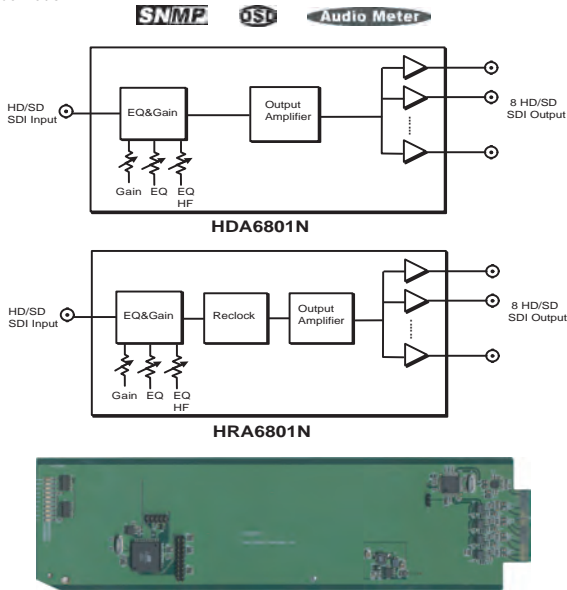


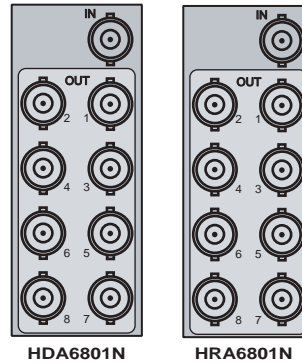
**Description:**

Both the HDA6801N and HRA6801N are HD/SD-SDI video distribution amplifiers. The HDA6801N is a DA with equalization, while the HRA6801N is a relocked DA with equalization.



**Features:**

- ▶ One HD/SD-SDI input, eight outputs
- ▶ Video input with auto-detect and input status feedback (Applicable to HRA6801N only)
- ▶ Automatic cable equalization
- ▶ Reclocking function (Applicable to HRA6801 only)



**Specifications:** Specifications are subject to change without notice

**SDI Video Input**

Signal type	HD-SDI, SD-SDI
Connector	BNC(IEC 169-8)
Impedance	75 ohm
Return loss	>18 dB 5 MHz to 1.5 GHz
Cable equalization	SD-SDI: 0-300 m Belden 1694A or equivalent HD-SDI: 0-100 m Belden 1694A or equivalent

Return loss	>18 dB 5 MHz to 1.485 GHz typical >15 dB 5 MHz to 1.485 GHz worst case
Signal amplitude	800mV +/- 10%
DC offset	0.0 V +/- 0.5 V
Rise and fall time	SD-SDI: 400 to 700 ps HD-SDI: <270 ps
Overshoot	<10%

**SDI Video Output**

Number of outputs	8
Signal type	HD-SDI, SD-SDI
Connector	BNC(IEC 169-8)
Impedance	75 ohm

**Power Consumption**

Power	2.2W
Positive rail	300 mA
Negative rail	0 mA

**Ordering Information:**

HDA6801N	HD-SDI Equalizing Distribution Amplifier 1x8	HRA6801N	HD-SDI Reclocked Distribution Amplifier 1x8
----------	--	----------	---