

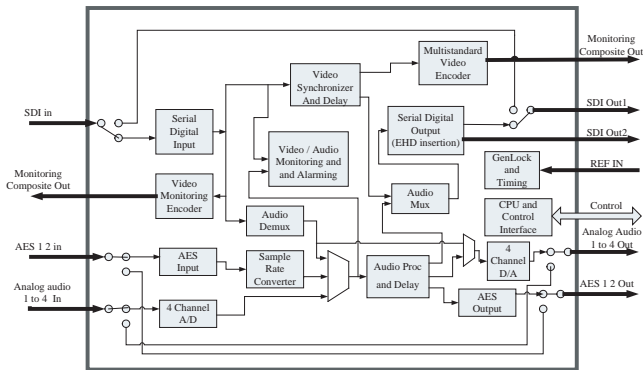
Description:

The DL240SDI solid state delay line provides up to 120 seconds delay for audio and video signal to give the operator complete control over the program content being broadcast to air. The signal monitoring and alarming features provide input signal error detection. Video input, audio input, EDH, freeze frame, black field, audio too high and too low errors are all monitored by the DL240SDI.

The DL240SDI offers serial component digital video, 4 channels balanced analog audio input and output, 2 pairs balanced AES/EBU audio input and output.

The DL240SDI can also support 4 channels embedded audio input and output.

The outputs of DL240SDI are all protected by relay bypass.



FUNCTIONAL BLOCK DIAGRAM

Features:

- ▶ 120 seconds maximum delay
- ▶ 4 channels embedded audio
- ▶ Test signal generator (color bars and black field)
- ▶ EDH insertion
- ▶ Fully functional audio processing amplifier
- ▶ Frame synchronizer
- ▶ Analog video and audio output monitor for input
- ▶ Input signal error monitoring
- ▶ Relay bypass protected outputs
- ▶ Redundant power supply



Specifications: Specifications are subject to change without notice

Digital Video Specifications

Standards	525, 625, 259M-C; 270 Mb/s
SDI Input (BNC)	75 ohms, Auto EQ to 300 m
SDI Output (BNC)	75 ohms, 800mV ± 10%
Return Loss	>18 dB to 270 MHz
Output DC Level	0.0 V ± 0.5 V
Output Overshoot	<10% of amplitude (all outputs terminated)
Output Jitter	<500ps

Genlock Specifications

Genlock Ref	(BNC Loop) 75 ohms, 1 Vp-p
Return Loss	>40 dB to 5.8 MHz
Horizontal phase range	1 line, with resolution of 37 ns
Vertical phase range	1 frame, with resolution of 1 line

Analog Audio Specifications

Connection	3-pin connector
Number of Inputs	2 Stereo Channels (Balanced)
Input Impedance	>36 kohms
Input Operating Levels	+24, +20, +16, +12dBu, 36kohms

Ordering Information:

DL240-SDI	SDI/analog audio delay line
-----------	-----------------------------

Maximum Input Level	+24 dBu
A/D Resolution	24-bit
Number of Outputs	2 Stereo Channels (Balanced)
D/A Resolution	24-bit
Output Operating Levels	+24, +20, +16, +12dBu, 36kohms
Maximum Output Level	+24 dBu (66ohms)
Sampling Rate	48 kHz

Digital Audio Specifications

Connection	3-pin connector
Impedance	110 ohms (Transformer Isolated)
Number of Inputs	2 AES/EBU Stereo Streams
Input Sampling Frequency	32 kHz, 44.1 kHz, 48 kHz, 96 kHz
Number of Outputs	2 AES/EBU Stereo Streams
Channel Status Format	AES3-1992 (Professional Mode)
Sampling Frequency	48 kHz

SDI Embedded Audio Specifications

Number of Channels	4 channels in 1 group
--------------------	-----------------------