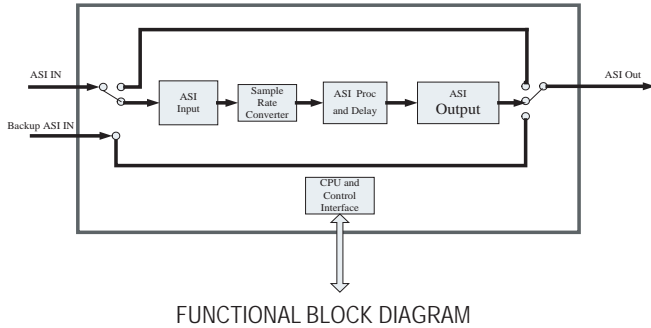


**Description:**

The DL240ASI solid state delay line provides up to 90 seconds delay for ASI stream to give the operator complete control over the program content being broadcast to air. The internal emergency switch is equipped to provide a full solution of signal delay and emergency switching. All inputs have active loop outputs for ease of system installation. The main output of DL240ASI is protected by relay bypass.

**Features:**

- ▶ 90 seconds maximum delay
- ▶ Main ASI input with active loop
- ▶ Backup ASI input with active loop
- ▶ Internal emergency switch
- ▶ Front panel input status indication
- ▶ Relay bypass protected outputs
- ▶ Redundant power supply



**Specifications :** Specifications are subject to change without notice.

**Digital Interface Specifications**

Standards any 270Mbps signal includes ASI and SDI  
Return Loss >18 dB to 270 MHz

Output DC Level 0.0 V  $\pm$  0.5 V  
Output Overshoot <10% of amplitude (all outputs terminated)  
Output Jitter <500ps

**Ordering Information:**

DL240-ASI ASI delay line