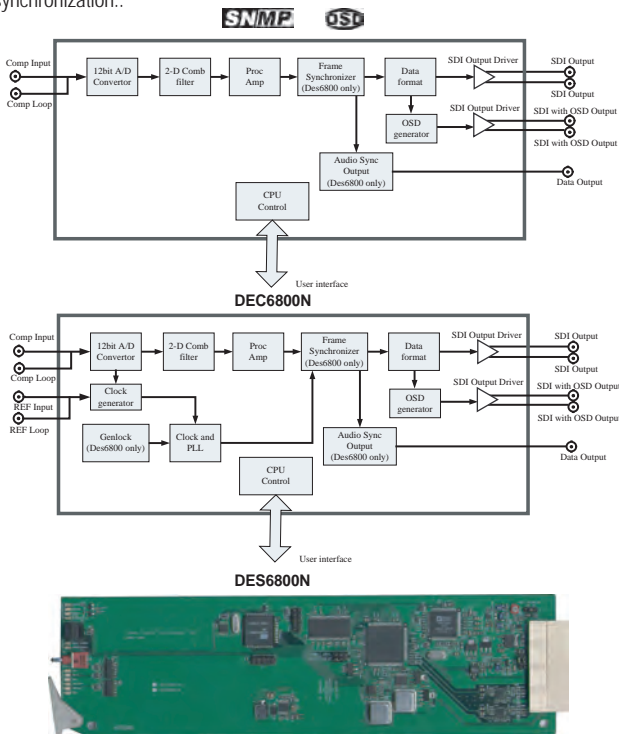


## Description:

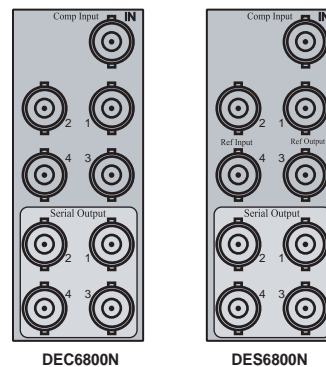
The DEC6800N is a compact, high precision 12-bit decoder that converts NTSC, PAL and SECAM analog composite signals into a broadcast quality component 4:2:2 signal from the noisiest inputs, such as satellite and microwave links.

The DES6800N has all functions mentioned above, in addition it is with frame synchronization..



## Features:

- ▶ 4X Over sampling analog to digital conversion with 12-bit resolution
- ▶ Automatic standard switching (based on input signal)
- ▶ Automatic gain and chroma controls (AGC and ACC)
- ▶ Fully functional processing amplifier
- ▶ Line-by-line VBI processing
- ▶ Test signal generator (color bars and black signal outputs)
- ▶ EDH insertion for error tracking
- ▶ An OSD (On-Screen Display) can be keyed in and out of video output
- ▶ Analog color black NTSC/PAL reference inputs
- ▶ Built-in frame synchronizer (applicable to DES6800N)



## Specifications: Specifications are subject to change without notice.

### Analog Video Input

Standards	NTSC, PAL (Manual standard mode) NTSC, NTSC-J, NTSC-4.43, PAL, PAL-M, SECAM (Auto standard mode)
Level	1V p-p ± 3 dB
Impedance	75 ohm
Return Loss	>40 dB to 5.8 MHz
Video Level Adjust Range	+6 dB/-1 dB

### Digital Video Processing

Input	12-bit 4X quantization
Decoding Algorithm	5-line adaptive comb
Frequency Response	±0.1 dB to 5.8MHz
Luma Signal to Noise Ratio	>60 dB 10 kHz to 6 MHz

### SDI Outputs

Quantity	4
Standard	259M-C; 270 Mb/s
Connector	BNC (IEC 169-8)
Impedance	75 ohm

Return Loss	>18 dB to 270 MHz
Signal Level	800mV ± 10%
DC Level	0.0 V ± 0.5 V
Overshoot	<10% of amplitude (all outputs terminated)
Jitter	<500ps

### STORAGE

Number of Fields	2 (1 frame)
Data Path	10 bits

### Phasing

Horizontal phase adjustment range	1 line, with resolution of 37 ns
Vertical phase adjustment range	1 frame, with resolution of 1 line

### Power Consumption

Power	3.0W
Positive Rail	420mA
Negative Rail	15mA

## Ordering Information:

DEC6800N	Analog composite to serial digital converter	DES6800N	Analog composite to serial digital converter with frame synchronizer
----------	--	----------	--

【The pictures are just for reference and subject to actuality】